



60-3006 - (9328-FG)

BSPP Swivel Female x BSPP Swivel Female x BSPP Male Branch
Tee 60 Deg Cone



BRENNAN INDUSTRIES, EXTRAORDINARY FITTINGS

In business for over 60 years, Brennan supplies more than 50,000 types of hydraulic fittings and adaptors in sizes ranging from 1/16 to 3 inches.

Learn More at Brennan University:

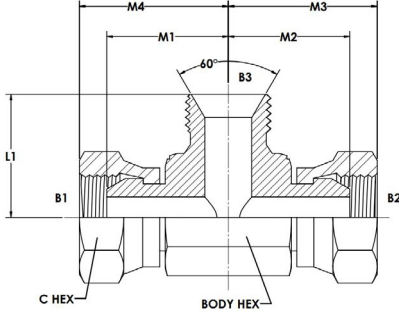
[Fittings 101](#)

[Tube Fittings Resources](#)

[Literature and Certifications](#)

Tech Data Sheet: 71527

60-3006 - (9328-FG)



DESCRIPTION:

BSPP Swivel Female x BSPP Swivel Female x BSPP Male Branch Tee 60 Deg Cone

UK SERIES:

60-3006

US SERIES:

9328-FG

THREAD TYPE B1:

FEMALE BSPP SWIVEL

THREAD SPECIFICATION B1:

60 DEG SEAT SWIVEL CONNECTION

THREAD TYPE B2:

FEMALE BSPP SWIVEL

THREAD SPECIFICATION B2:

60 DEG SEAT SWIVEL CONNECTION

BODY MATERIAL:

STEEL

Item	THREAD SIZE B1	THREAD DRILL B1 (MM)	THREAD SIZE B2	THREAD DRILL B2 (MM)	THREAD SIZE 3	THREAD DRILL 3 (MM)	THREAD SPECIFICATIONS	THREAD SPECIFICATIONS
60-3006-04-04-04	1/4-19	4.5	1/4-19	4.5	1/4-19	4.7	ISO 8434-6	BS 5200
60-3006-06-06-06	3/8-19	7.1	3/8-19	7.1	3/8-19	7.90	ISO 8434-6	BS 5200
60-3006-08-08-08	1/2-14	9.7	1/2-14	9.7	1/2-14	11.1	ISO 8434-6	BS 5200
60-3006-10-10-10	5/8-14	14.3	5/8-14	14.3	5/8-14	12.0	ISO 8434-6	BS 5200
60-3006-12-12-08	3/4-14	15.5	3/4-14	15.5	1/2-14	11.1	ISO 8434-6	BS 5200
60-3006-12-12-12	3/4-14	15.5	3/4-14	15.5	3/4-14	16.7	ISO 8434-6	BS 5200
60-3006-16-16-16	1-11	20.4	1-11	20.4	1-11	22.2	ISO 8434-6	BS 5200
60-3006-20-20-20	1-1/4-11	26.0	1-1/4-11	26.0	1-1/4-11	28.6	ISO 8434-6	BS 5200