



37-9020 - (6600-FG)

Male JIC x Male JIC x Female JIC Swivel Tee



BRENNAN INDUSTRIES, EXTRAORDINARY FITTINGS

In business for over 60 years, Brennan supplies more than 50,000 types of hydraulic fittings and adaptors in sizes ranging from 1/16 to 3 inches.

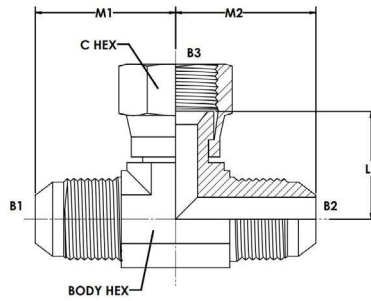
Learn More at Brennan University:

[Fittings 101](#)

[Tube Fittings Resources](#)

[Literature and Certifications](#)

Tech Data Sheet:



37-9020 - (6600-FG)

DESCRIPTION:

MALE JIC X MALE JIC X FEMALE JIC SWIVEL TEE

UK PART NUMBER:

37-9020

US PART NUMBER:

6600-FG

Item	TUBE O.D.	A1 SAE 37 Deg	A2 SAE 37 Deg	A3 SAE 37 Deg	A1 DRILL	A2 DRILL	A3 DRILL	M LGTH	M4 LGTH	M6 LGTH	C HEX
37-9020-03-03-03	3/16	3/8-24	3/8-24	3/8-24	0.125	0.125	0.125	0.830	0.660	1.000	0.500
37-9020-04-04-04	1/4	7/16-20	7/16-20	7/16-20	0.172	0.172	0.172	0.89	0.65	1.00	0.563
37-9020-05-05-05	5/16	1/2-20	1/2-20	1/2-20	0.234	0.234	0.234	0.95	0.68	1.06	0.625
37-9020-06-06-06	3/8	9/16-18	9/16-18	9/16-18	0.297	0.297	0.297	1.06	0.87	1.25	0.688
37-9020-06-06-08	3/8	9/16-18	9/16-18	3/4-16	0.297	0.297	0.391	1.140	0.950	1.380	0.875
37-9020-08-08-08	1/2	3/4-16	3/4-16	3/4-16	0.391	0.391	0.391	1.25	0.95	1.38	0.875
37-9020-10-10-10	5/8	7/8-14	7/8-14	7/8-14	0.484	0.484	0.484	1.450	1.120	1.620	1.000
37-9020-12-12-10	3/4	1-1/16-12	1-1/16-12	7/8-14	0.609	0.609	0.484	1.66	1.130	1.630	1.000
37-9020-12-12-12	3/4	1-1/16-12	1-1/16-12	1-1/16-12	0.609	0.609	0.609	1.66	1.18	1.75	1.250
37-9020-14-14-14	7/8	1-3/16-12	1-3/16-12	1-3/16-12	0.719	0.719	0.719	1.80	1.20	1.78	1.375
37-9020-16-16-16	1	1-5/16-12	1-5/16-12	1-5/16-12	0.844	0.844	0.844	1.81	1.40	2.00	1.500
37-9020-20-20-20	1-1/4	1-5/8-12	1-5/8-12	1-5/8-12	1.078	1.078	1.078	2.06	1.67	2.31	2.000
37-9020-24-24-24	1-1/2	1-7/8-12	1-7/8-12	1-7/8-12	1.312	1.312	1.312	2.330	1.870	2.590	2.250
37-9020-32-32-32	2	2-1/2-12	2-1/2-12	2-1/2-12	1.781	1.781	1.781	3.06	2.43	3.38	2.875