



## OR-9020 - (FS6600-FG)

Male x Male x Swivel Female Forged Branch Tee



### **BRENNAN INDUSTRIES, EXTRAORDINARY FITTINGS**

In business for over 60 years, Brennan supplies more than 50,000 types of hydraulic fittings and adaptors in sizes ranging from 1/16 to 3 inches.

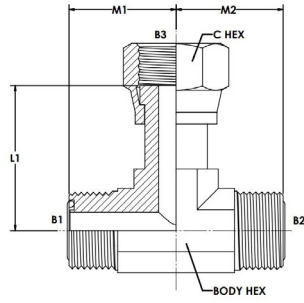
#### **Learn More at Brennan University:**

[Fittings 101](#)

[Tube Fittings Resources](#)

[Literature and Certifications](#)

**Tech Data Sheet: 71369**



# OR-9020 - (FS6600-FG)

**DESCRIPTION:**

**MALE X MALE X SWIVEL FEMALE FORGED  
BRANCH TEE**

**UK PART NUMBER:**

**OR-9020**

**US PART NUMBER:**

**FS6600-FG**

Item	TUBE O.D.	A1 THREAD	A2 THREAD	B THREAD	A1 DRILL	A2 DRILL	B DRILL	M1 LGTH	M2 LGTH	AAA LGTH	C HEX
<b>OR-9020-04-04-04</b>	1/4	9/16-18	9/16-18	9/16-18	0.172	0.172	0.165	0.85	0.85	1.04	0.687
<b>OR-9020-04-04-06</b>	1/4	9/16-18	9/16-18	11/16-16	0.172	0.172	0.264	0.92	0.92	1.15	0.812
<b>OR-9020-06-06-06</b>	3/8	11/16-16	11/16-16	11/16-16	0.264	0.264	0.264	0.98	0.98	1.15	0.812
<b>OR-9020-08-08-08</b>	1/2	13/16-16	13/16-16	13/16-16	0.378	0.378	0.358	1.10	1.10	1.49	0.938
<b>OR-9020-10-10-10</b>	5/8	1-14	1/14	1-14	0.484	0.484	0.453	1.31	1.31	1.62	1.125
<b>OR-9020-12-12-12</b>	3/4	1-3/16-12	1-3/16-12	1-3/16-12	0.609	0.609	0.547	1.47	1.47	1.82	1.375
<b>OR-9020-16-16-16</b>	1	1-7/16-12	1-7/16-12	1-7/16-12	0.811	0.811	0.783	1.64	1.64	2.10	1.625
<b>OR-9020-20-20-20</b>	1 1/4	1-11/16-12	1-11/16-12	1-11/16-12	1.024	1.024	1.024	1.76	1.76	2.29	1.875
<b>OR-9020-24-24-24</b>	1-1/2	2-12	2-12	2-12	1.260	1.260	1.260	1.920	1.920	2.410	2.25